



TENSION STRUT BALL JOINT KIT F87/F80/F82 INSTALLATION INSTRUCTIONS

PART NUMBER D280-0017

APPLICATION: 2015-2016 M3 (F80)
2015-2016 M4 COUPE (F82)
2015-2016 M4 CONVERTIBLE (F83)
2016 M2 COUPE (F87)

PARTS LIST

| Qty | Part # | Description |
|-----|-----------|-------------------------------|
| 2 | D282-0042 | Cap |
| 1 | D282-0044 | Cap Tool |
| 4 | D282-0045 | Spacer |
| 2 | D283-0027 | Balljoint/Holder Assy F80/F82 |
| 1 | D281-0003 | 609 Loctite |

Congratulations for being selective enough to use a Dinan Monoball Kit. We have spent many hours developing this kit to assure that you will receive maximum performance and durability with minimum difficulty in installation. Please take the time to read these instructions and call us if you have any difficulties during the installation.

DO NOT WORK ON VEHICLES SUPPORTED BY A JACK ONLY. USE SECURE JACK STANDS!

INSTALLATION:

1. Remove the front Tension-Compression Arms per BMW recommended procedure 31 12 050. Press out the stock rubber bushing using a suitable tool. BMW procedures can be found @ bmwtechinfo.com
2. Clean out the bore with some soap and scotch-brite. The bore needs to be very clean and dry.
3. Secure arm in vice and apply some Loctite 609 Retaining Compound (included in kit) to the outer bore of the Dinan monoball carrier. Use enough to cover most of the surface. See Figures 1 & 2.

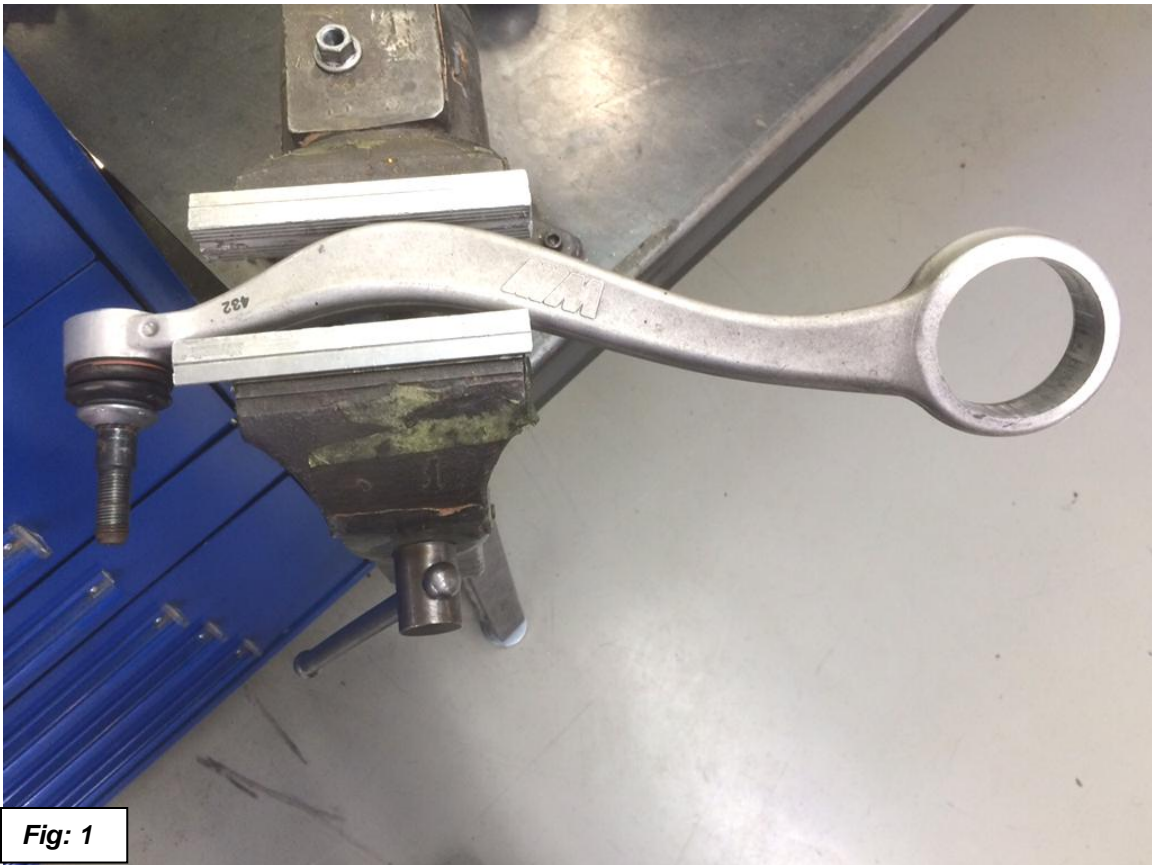


Fig: 1



Fig: 2

4. See figure below. Slide the carrier into the bore in the arm with a slight turning motion to further spread the Loctite around. Slide the Balljoint Holder Assy into the chamfer side of the arm. See Figure 3.

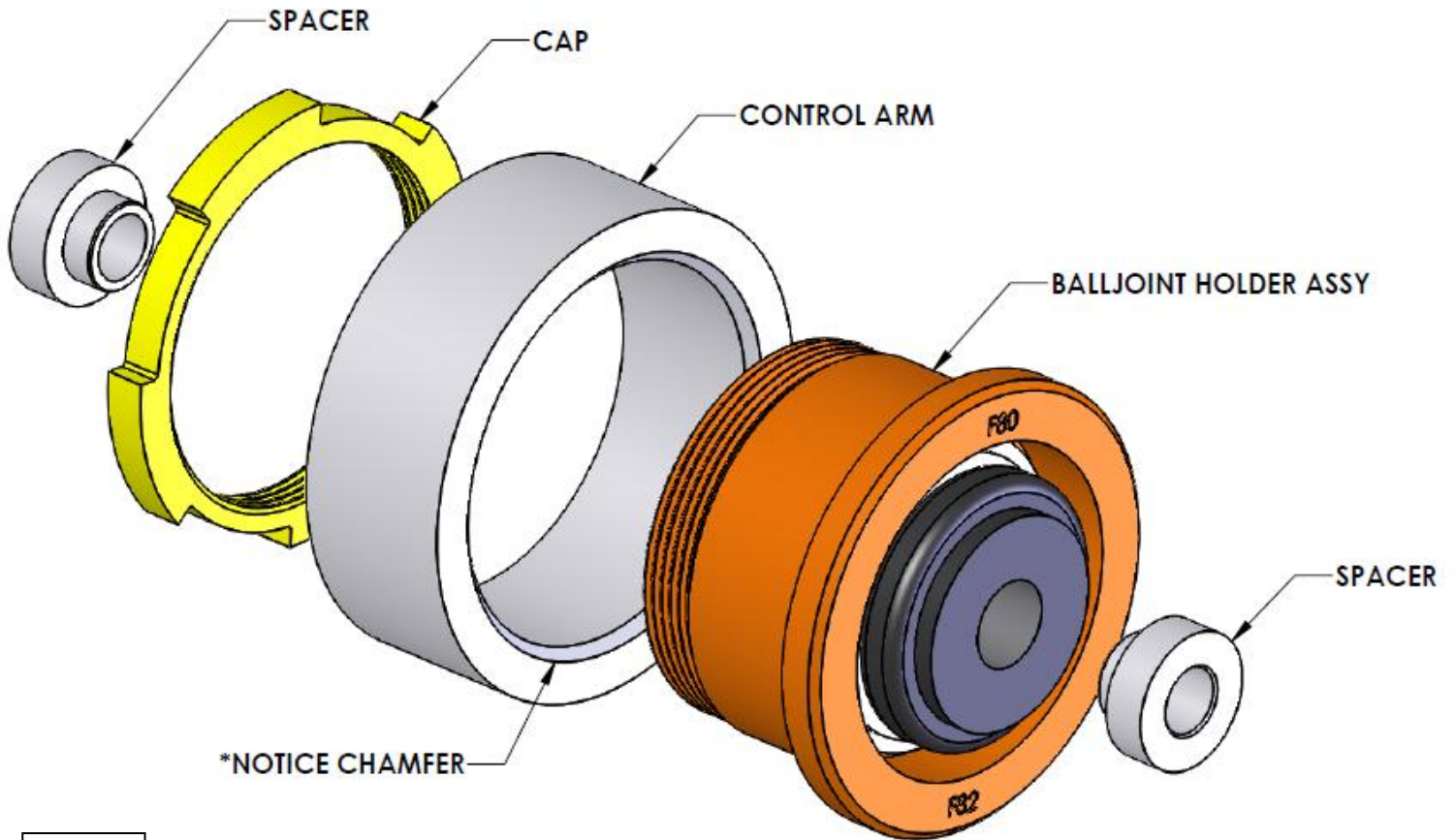


Fig: 3

5. Install the Dinan retaining cap onto the arm. Put a small amount of Loctite on the internal threads of the cap and torque to 110 foot-pounds to secure the retaining cap. A special Dinan cap tool is included in every kit. This tool is used with a 1/2" torque drive. Set torque wrench to 110 foot-pounds and do not concern yourself with a conversion factor. See Figure 4.



Fig: 4

6. Install the Dinan silver bearing spacers as shown.
7. Install the arms to the car using the stock bolts & nuts (replace as necessary).
8. Torque the bolts per BMW recommended procedure. NOTE: The monoball bolts must also be angle torqued per BMW specification!
9. Enjoy!