



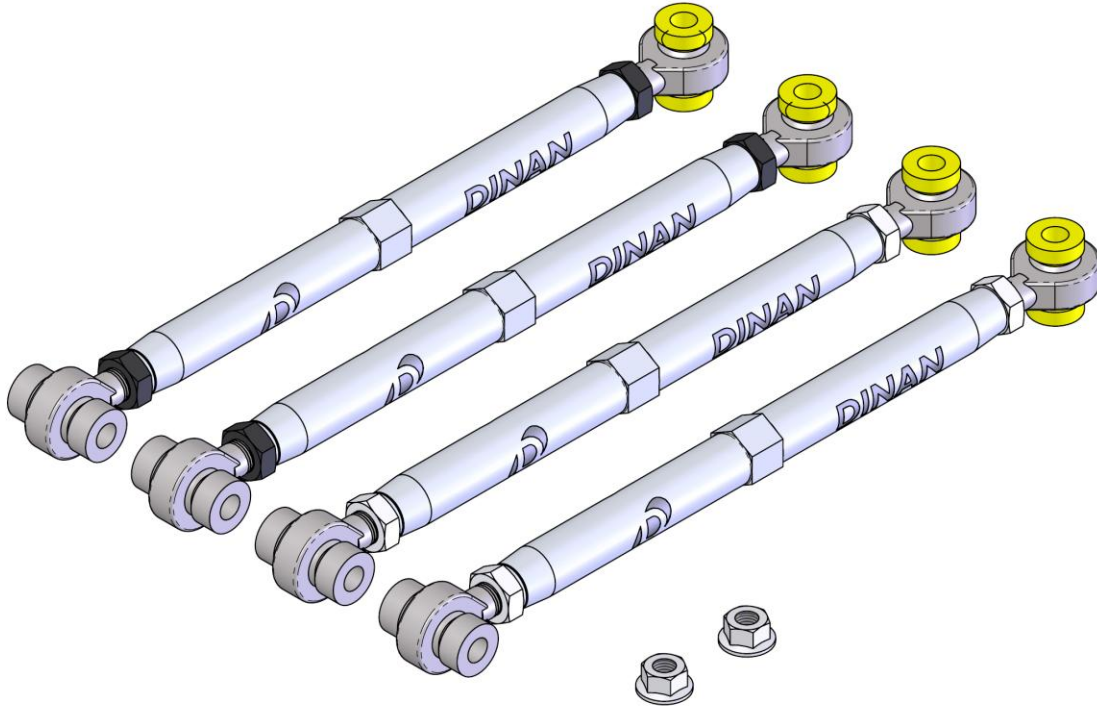
RACING REAR SUSPENSION LINK KIT INSTALLATION INSTRUCTIONS

PART NUMBER D280-0015

APPLICATION: 2015-16 F80 M3
2015-16 F82/F83 M4
2016 F87 M2

Congratulations for being selective enough to use a Dinan Rear Suspension Link Kit. We have spent many hours developing this kit to assure that you will receive maximum performance and durability with minimum difficulty in installation. Please take the time to read these instructions and call us if you have any difficulties during the installation.

DO NOT WORK ON VEHICLES SUPPORTED BY A JACK ONLY. USE SECURE JACK STANDS!



PARTS LIST

Qty	Part #	Description
2	D283-0024	Subframe Link Assemblies w/ black nuts & boots
2	D283-0025	Toe Link Assemblies w/ boots
2	33 32 6 760 668	BMW Nuts w/ flange

INSTALLATION:

1. Remove rear wheels.
2. Remove the forward lower trailing links per BMW recommended procedure.
3. Locate the two Dinan subframe link assemblies. These two arms have BLACK nuts. **THESE TWO ASSEMBLIES HAVE BEEN PRESET TO THE CORRECT LENGTH AND ARE NEVER TO BE ADJUSTED!**
4. The Dinan Subframe Links are preassembled with two narrow spacers on one end, and two wide spacers on the other end.
 - The end with the two narrow spacers belongs at the front attachment at the subframe.
 - The end with the two wide spacers belongs at the rear attachment near the wheel.
5. Torque fasteners to 74 ft-lbs.
6. Mark the positions of the toe adjustment eccentric bolts on the rear subframe.
7. Remove the stock rear toe links per BMW recommended procedure.
8. The two Dinan toe links have been preset to the correct length and do not require adjustment at this time.
9. Install the Dinan rear toe links.
 - The end with the two wide spacers belong at the inboard attachment at the subframe.
 - The end with the two narrow spacers belong at the outboard attachment near the wheel.
 - Be sure to start the outboard bolts by hand a few turns first, before installing the inboard bolts, to prevent cross-threading of the outboard bolts.
 - Use the new nuts provided
10. Take care to align the eccentric bolts with the marks made in Step 6.

11. Torque fasteners to 74 ft-lbs.

12. Perform an alignment. There is no need to use the factory eccentrics to adjust the rear toe. Adjust rear toe using the Dinan toe link for improved precision.

- Loosen the two jam nuts, noting that the hardware on the end with the “D” logo has left-hand threads.
- Turn the center section to adjust the overall length of the toe link.
- Tighten jam nuts.

