



INSTALLATION INSTRUCTIONS

PART NUMBER D440-0010

APPLICATION: BMW N20, N26, & N55 vehicles

PARTS LIST

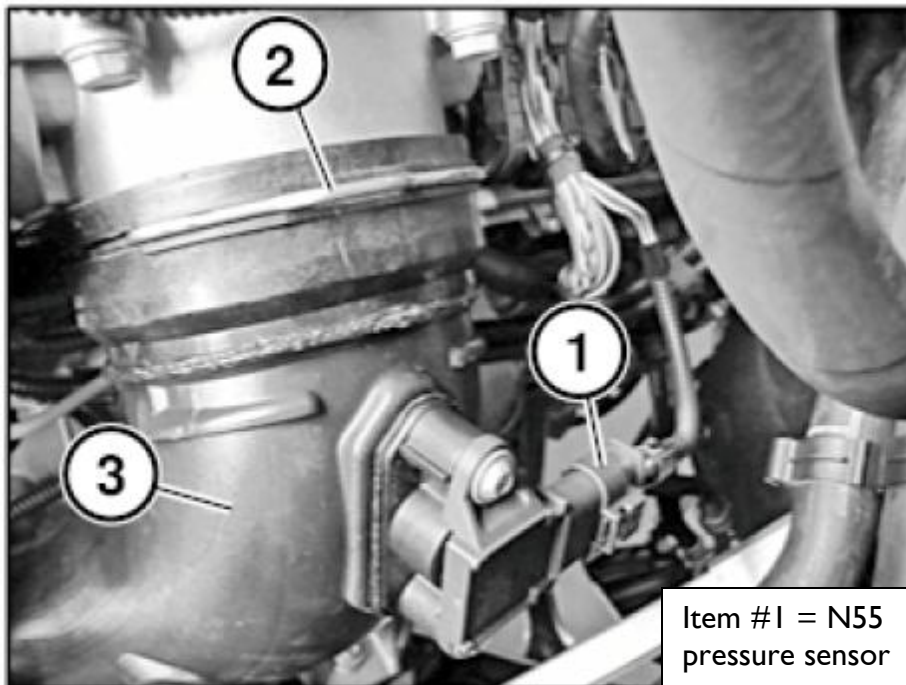
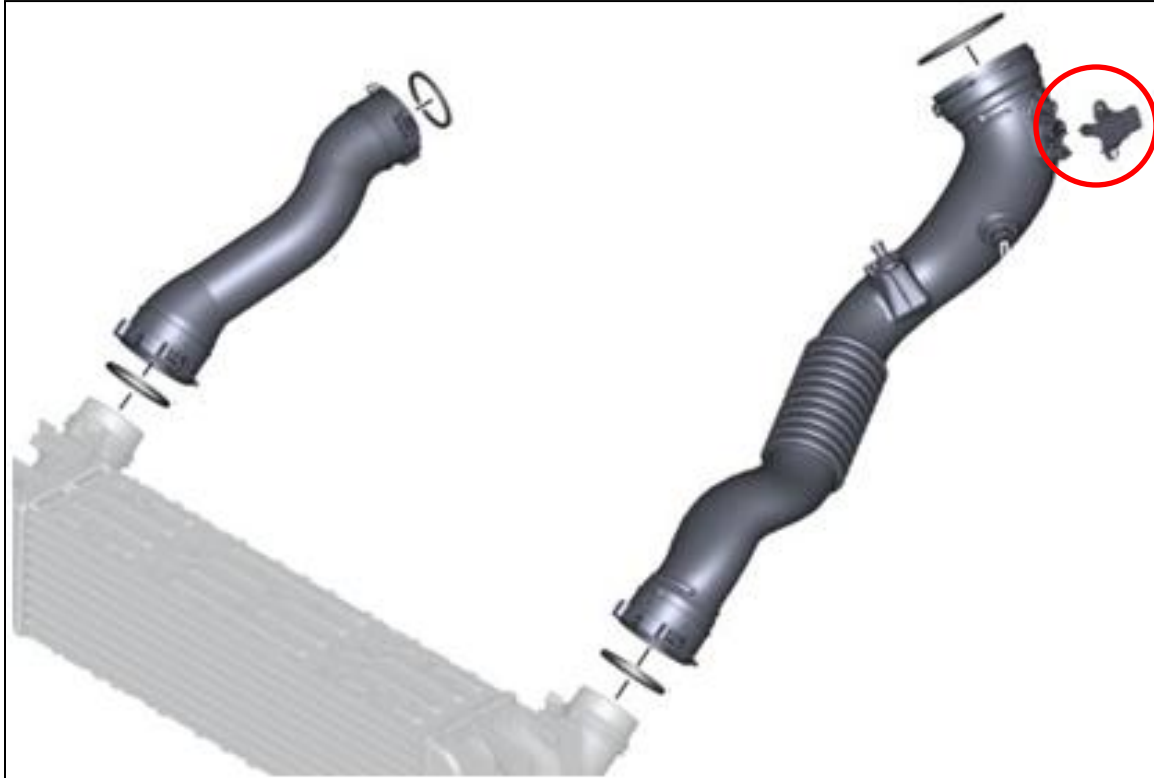
Qty	Part #	Description
1	D443-0100	DINANTronics SPORT Module; Black
3		Zip ties

Congratulations for being selective enough to use DINANTronics SPORT Performance Tuner. We have spent many hours developing this kit to assure that you will receive maximum performance and durability with minimum difficulty in installation. Please take the time to read these instructions and call us if you have any difficulties during the installation.

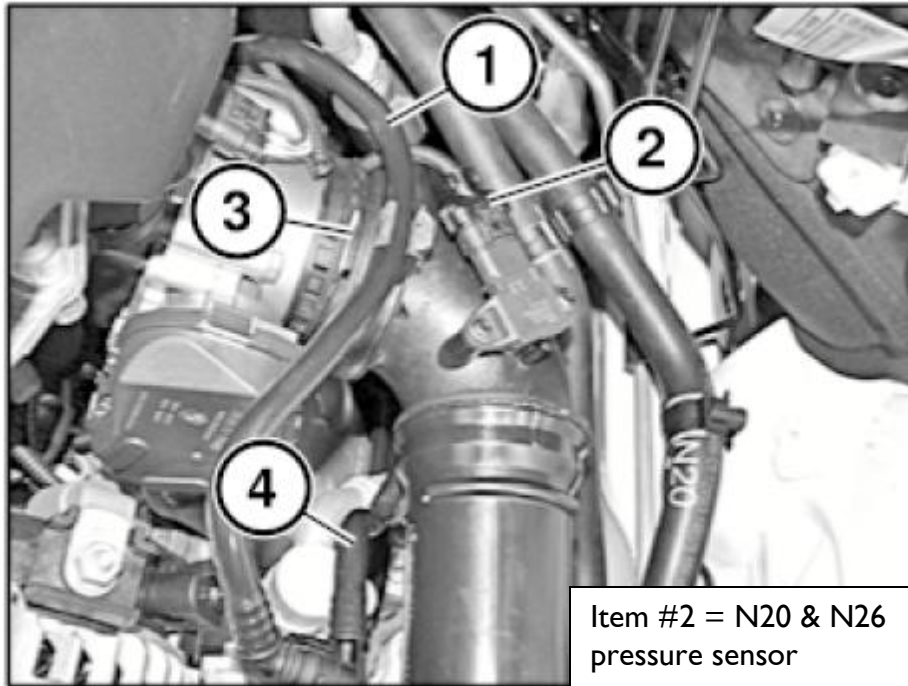
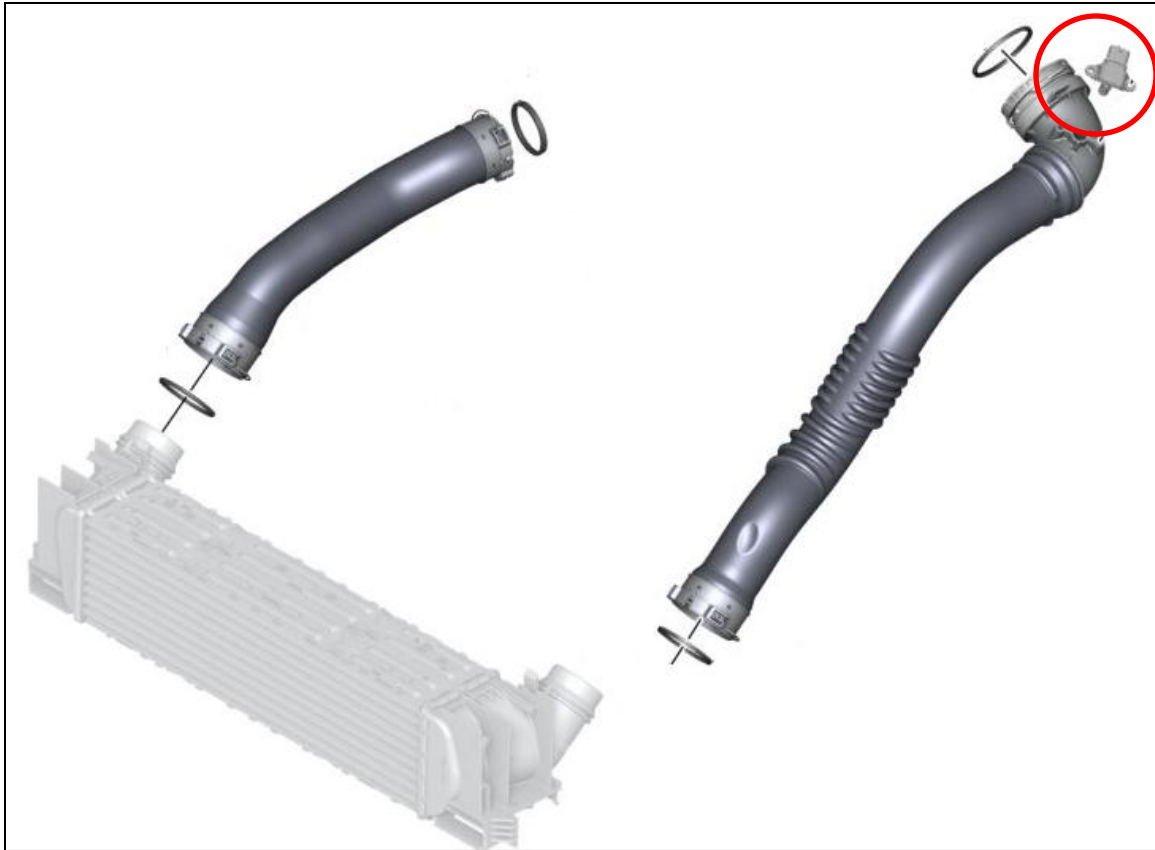
INSTALLATION:

1. Make sure ignition is OFF.
2. The DINANTronics SPORT module is identified with a MAC address. Please note the last 4 characters. This will be needed by the smart phone app to establish a connection.

3. Remove the engine cover if needed. Identify the pressure sensor mounted to the intake charge pipe.
 - The intake charge pipe runs from the intercooler exit, to the intake manifold.
 - The pressure sensor will have a connector that is identical the ones on the DINANTronics SPORT module.
 - See diagrams below for the sensor location on your vehicle



N20 & N26 (2.0L 4-cylinder) engines only



4. Disconnect the wiring harness from the pressure sensor.
5. Install the DINANTronics SPORT module in between the sensor, and the wiring harness. The connectors can only be installed one way. Make sure that the locking tangs on both connections are secure.
6. Using the included zip-ties, mount the module in a secure location, away from any moving engine components. Also ensure adequate slack in the wiring harness to allow for engine movement.

** It is best to orient the module vertically, with the wiring pointing downward.

7. Turn on the ignition, but do not start the engine. The LED on the module will illuminate.

8. The module has 5 settings -- in order of increasing performance, they are: VALET, STOCK, SPORT, SPORT+, and RACE. The modules are shipped in SPORT+ mode. The setting can be changed with the DINANTronics SPORT app (available from Google Play; iOS app coming soon).



9. Connect to your Android phone or tablet to your module using the app. Note that your device must be equipped with Bluetooth version 4.0.
10. Adjust module for the desired level of performance. Your setting will be retained, so adjustment is not necessary at each engine start.
11. Enjoy!